



SDW-TG 50W GX12-1

Product Description

- Range of high-efficiency, discharge lamps with warm colour to be used in small, open luminaires designed around MASTER Colour CDM-T lamps

Product Features

- Warm white colour impression, very good colour rendering, especially superb red rendition
- Lamp design is well-suited to be used in luminaires for MASTER Colour CDM-T power-spots
- UV-block for reducing fading risks

Product Benefits

- Exceptional brightness and colour rendering especially of warm colours, e.g. red and gold
- High lamp efficacy results in low operating costs and low heat generation
- Long lamp life compared with incandescent and halogen lamps

Application

- Shop lighting (create cosy atmosphere e.g. in furniture shops), excellent display of fresh goods (at butchers, bakeries, flower-shops)

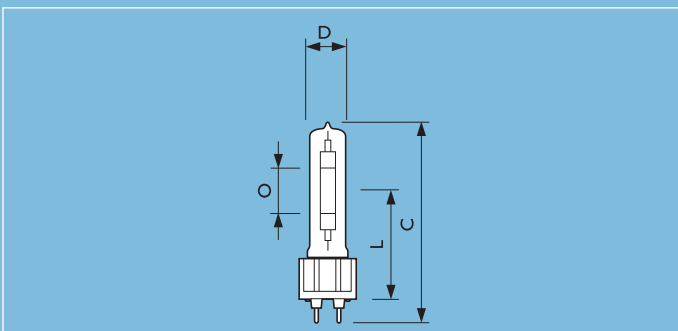
System

- Must be used in combination special Philips electronic gear to avoid colour shift. Not designed to be used in combination with ballast and colour control (CSLS) unit

www.lampsandgear.philips.com

recommended ballast pag. 2.4

Dimensions in mm



Dim. no.	C max.	D max.	L nom.	O nom.
1	103	20	56	14
2	110	20	56	18

Preferred selection

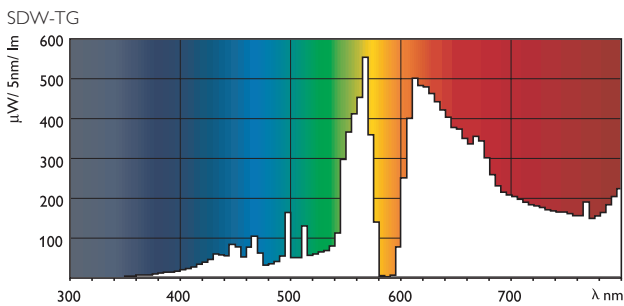
Type	EOC	Cap/ Base	Packing configuration	Luminous Flux Lamp Electronic EM (lm)	Colour Temperature (K)	Operating position	Dim. no.
MASTER SDW-TG 50W/825 GX12-1 1CT	202326 15	GX12-1	12	2400	2550	ANY	1
MASTER SDW-TG 100W/825 GX12-1 1CT	202338 15	GX12-1	12	4900	2550	ANY	2

Type	Colour Rendering Index (R _a)	Lamp Voltage (V)	Cap/Base Temperature max. (°C)	Bulb Temperature max. (°C)	Lamp Current Electronic (A)	Lamp Wattage Electronic (W)	System Power Electronic (W)
MASTER SDW-TG 50W/825 GX12-1 1CT	81	85	280	500	0.65	54	62
MASTER SDW-TG 100W/825 GX12-1 1CT	83	91	280	650	1.10	99	112

Type	Re-ignition Time max. (min.)	Run-up Time 90% max. (min.)	Ignition Peak Voltage max. (V)	Ignition Time max. (sec.)	Colour Designation	Chromaticity Coordinate X	Chromaticity Coordinate Y
MASTER SDW-TG 50W/825 GX12-1 1CT	1.0	2	4000	60	Golden White	468	408
MASTER SDW-TG 100W/825 GX12-1 1CT	1.5	2	4000	60	Golden White	469	406

Type	Bulb finish	Luminous Efficacy Lamp Electronic (lm/W)	Nett Weight Product (g)	Pinch Temperature max. (°C)
MASTER SDW-TG 50W/825 GX12-1 1CT	Clear	44	28	350
MASTER SDW-TG 100W/825 GX12-1 1CT	Clear	50	35	350

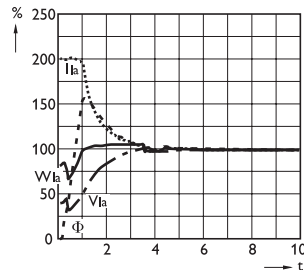
Spectral power distribution



Performance diagrams

MASTER Colour SDW-TG

Lamp performance during run up



- I_{la} = Lamp current
- Φ = Luminous Flux
- V_{la} = Lamp Voltage
- W_{la} = Lamp Wattage

Effects of mains voltage variations

